

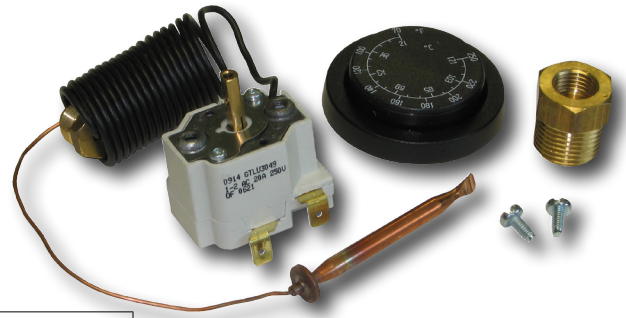
GENERAL PUMP *A member of the Interpump Group*

GP Thermostats

Capillary Style Adjustable Thermostats

FEATURES

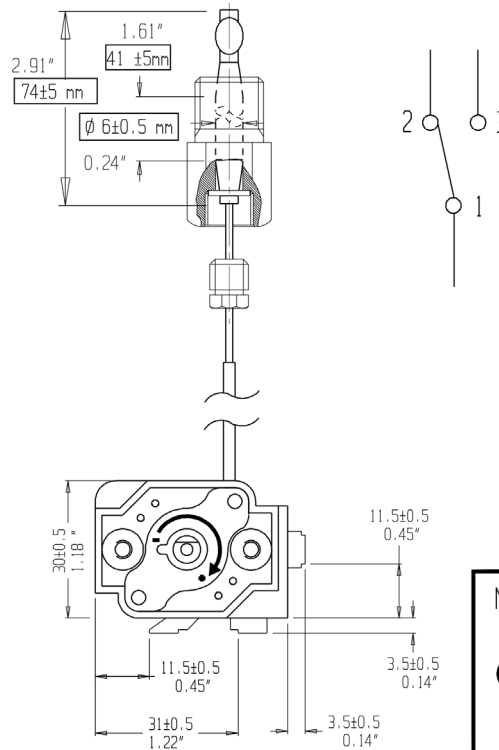
- Panel mounted, dual scale knob.
- Rapid response, $\pm 5^\circ\text{F}$
- 60 inch capillary tube with bulb rated to 4000 PSI
- UL/CSA approved.



SPECIFICATIONS

Part No. (Bulk 25 Pack)	100438 (100438B)	100439 (100439B)	100538 (100538B)
Temp Range	86° - 195° F	86° - 302° F	86° - 250° F
Max Pressure	4000 PSI		
Electrical Rating AC	120VAC-20A 240VAC-20A 120/240VAC-1/4HP		
Sensing Element	Copper Bulb		
UL/CSA Approved	Yes		

DIMENSIONS (MM)



Terminals	6.3 x 0.8 mm 0.25" x 0.03"
Bulb	COPPER
Capillary	COPPER
Stem length	1803 \pm 25mm/71"
Sleeving	1575 \pm 25mm/62"
	PTFE PEr
Maxi bulb temp.	161°C/322°F
Preset in position :	Z
Standard packaging	
Observations :	
	- Specific bulb - 1/2 NPT component supplied separately

	Angular Pos / BB	Temp. °C		Temp. °F	
		Réglul.	Diff.	Réglul.	Diff.
X	0	≈ 21		≈ 70	
Y					
Z	270	121 \pm 5	≈ 7	250 \pm 9	≈ 12
Submerged cap. length =		50 mm 2"			

NORMS: -Approvals ENEC:EN60730-1
EN60730-2-9
T 120/ T 150
1-2 20A 250V \sim
1-3 5A 250V \sim

CE

-Approvals UL/CUL : 1-2 20A 250V \sim
1-3 20A 250V \sim

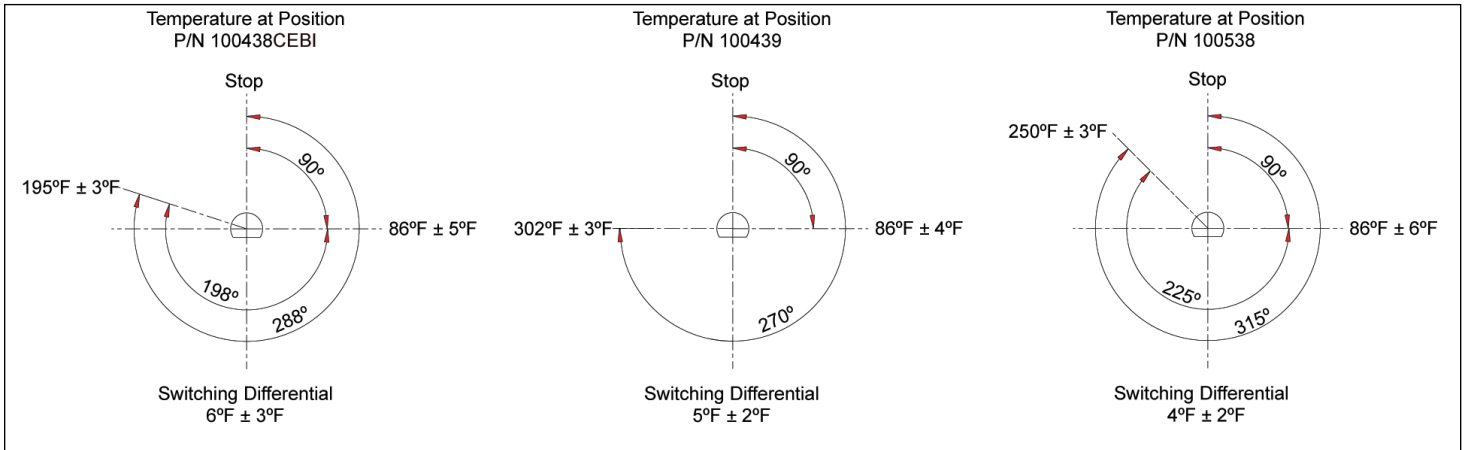


General Pump is a member of the Interpump Group

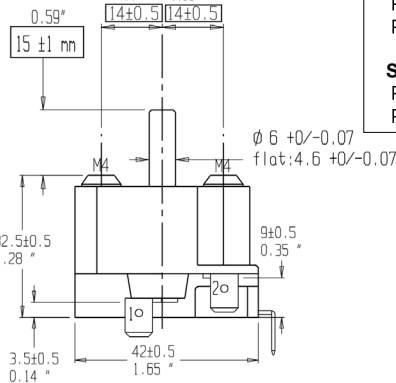
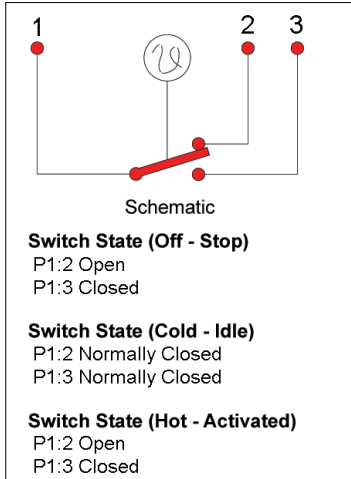
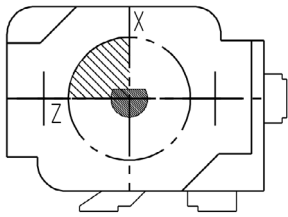
Ref 300016 Rev. G
07-19



WIRING DIAGRAMS AND INSTRUCTIONS

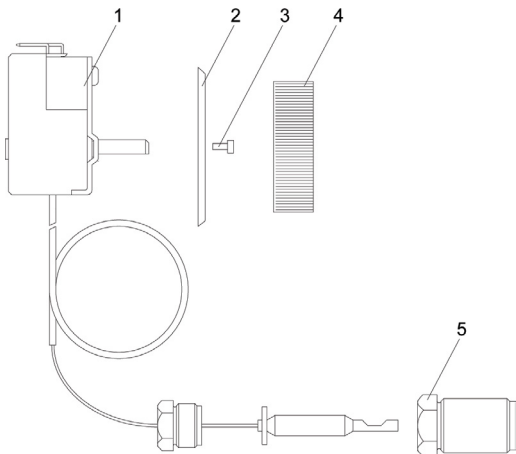


shaft in min. position (X)



GENERAL PUMP ACCEPTS NO LIABILITY AND WARRANTY IS VOID IF THERMOSTAT IS ADJUSTED.

PARTS LIST



No.	Part #	Description	Qty.
1.	620061	Thermostat Body, 100438	1
	620062	Thermostat Body, 100439	1
	620063	Thermostat Body, 100538	1
2.	N/A	Bezel	1
3.	N/A	Screw	2
4.	N/A	Adjusting Knob	1
5.	510103	Adapter	1

Note: Bezel, Screws, Knob all come with thermostat body.