



# Scottsdale® Legacy (CRUS)

## LED Canopy Luminaire



### OVERVIEW

Lumen Package (lm)	5,000 - 22,000
Wattage Range (W)	38 - 152
Efficacy Range (LPW)	114 -156
Weight lbs (kg)	23 (10.4)

### QUICK LINKS

## FEATURES & SPECIFICATIONS

### Construction

- Features a ultra-slim 11/16" profile die-cast housing, with flat clear or diffused tempered glass lens. Unit is water-resistant, sealed and IP66 rated. Integral designed heat sink does not trap dirt and grime, ensuring cool running performance over the life of the fixture.
- Standard color is white and is finished with LSI's DuraGrip® polyester powder coat process. DuraGrip withstands extreme weather changes without cracking or peeling.
- Luminaire assembly incorporates a pressure stabilizing vent breather to prevent seal fatigue and failure.

### Optical System

- Features an array of select, mid-power, high brightness, high efficiency LED; 3000K, 4000K, 5000K color temperature, 80 CRI (nominal).
- Choice of Symmetric or Asymmetric distribution. Asymmetric provides a wider distribution pattern. Optional symmetric with diffused lens also available.
- Forward Throw distribution provides an industry leading unique distribution pattern that illuminates the area under the gas canopy and beyond. The forward through optic directs the light to the forecourt from the gas canopy eliminating the need for supplemental floodlights and extensive perimeter lighting.
- Diffuse lens available as an option to soften brightness of the luminaire.
- Six Lumen Packages: 5,000, 9,000, 10,000, 13,000, 18,000 and 22,000 Lumens.

### Electrical

- High performance factory programmable driver features over-voltage, under voltage, short-circuit and over temperature protection with integral 6kV surge protection that meets IEEE C62.41.2 and ANSI C82.77-5 Location Category C Low standards. Additional field replaceable 10kV surge protection device meets a minimum Category C Low operation (per ANSI/IEEE C62.41.2). Custom lumen and wattage packages available.
- Driver components are fully encased in potting for moisture resistance. Complies with IEC and FCC standards. 0-10 V dimming supplied standard with all drive currents.
- Die-cast aluminum, wet location rated driver/electrical enclosure is elevated above canopy deck to prevent water entry, provide easy "knock-out" connection of primary wiring and acts as the primary heatsink ensuring cool operation of internal components for longer life. Seals to optical housing via one-piece molded silicone gasket.
- Universal voltage power supply, 120-277 VAC, 50/60 HZ and 347-480 VAC, 50/60 HZ input.
- -40°C to 55°C (-40°F to 131°F) ambient operating temperature. (Varies based on lumen package and mounting style see performance data for specifics.)
- Minimum 60,000 to 100,000 hours depending upon the ambient temperature of the installation location (see performance data for specifics.)

### Hazardous Location

- Designed for lighter than air fuel applications. Product is suitable for Class 1 Divisions 2 only when properly installed per LSI installation instructions. See lsi.com for specific guidance. Not available on SLW.

### Installation

- One-person installation.
- Installs in a 12" or 16" deck pan. Deck penetration consists of a 4" hole, simplifying installation and water sealing. Unit is designed to quickly retrofit into existing Scottsdale (4") hole as well as openings for Encore and Encore Top Access and to reconnect wiring for the SC/ECTA without having to relocate the conduit.
- Retro panels are available for existing Encores as well as kits for recessed and 2x2 installations (see separate spec sheets). Support brackets are provided standard, to prevent sagging of deck.

### Warranty

- LSI luminaires carry a 5-year limited warranty. Refer to <https://www.lsicorp.com/resources/terms-conditions-warranty/> for more information.

### Listings

- UL and ETL listed to UL 1598, UL 8750 and other U.S. and International safety standards. Suitable for wet locations.
- DesignLights Consortium® (DLC) Premium qualified product. Not all versions of this product may be DLC Premium qualified. Please check the DLC Qualified Products List at [www.designlights.org/QPL](http://www.designlights.org/QPL) to confirm which versions are qualified.
- Meets Buy American Act requirements.
- IDA compliant with 3000K or lower color temperature.

# Scottsdale® Legacy (CRUS) LED Canopy Luminaire

Type: \_\_\_\_\_

 **Have questions?** Call us at (800) 436-7800

## ORDERING GUIDE

TYPICAL ORDER EXAMPLE: CRUS SCFT LED VHO 50 UE WHT DFL							
Prefix	Distribution	Light Source	Driver	Color Temperature	Input Voltage	Finish	Options <sup>4</sup>
CRUS - LED Canopy Luminaire	SC - Symmetric AC <sup>1</sup> - Asymmetric	LED	SLW - 5,000 Lumens VLW - 9,000 Lumens LW - 11,000 Lumens SS - 13,000 Lumens HO - 19,000 Lumens VHO - 22,000 Lumens <sup>2</sup>  Custom Lumen Packages <sup>3</sup>  VHO - 22,000 Lumens	30 - 3000K 40 - 4000K 50 - 5000K	UE - Universal Voltage (120 - 277V) HV - High Voltage (347 - 480V)	WHT - White BRZ - Bronze BLK - Black	HL <sup>5</sup> - Hazardous Location DFL - Diffuse Lens
	SCFT <sup>2</sup> - Combination Standard Symmetric and Forward Throw						



**Need more information?**  
[Click here for our glossary](#)

**Have additional questions?**  
Call us at (800) 436-7800



## ACCESSORY ORDERING INFORMATION (Accessories are field installed)

Order Number	Description
525946	Retrofit Panels - EC / ECTA / SCF to CRUS, for 16" Deck Panel
530281	Retrofit Panels - ECTA / SCF to CRUS, for 12" Deck Panel
357282	Retrofit 2x2 Cover Panel Blank (no holes)


Order Number	Description
354702	Retrofit RIC Cover Panel Blank (no holes)
1320540	Kit - Hole Plugs and Silicone (enough for 25 retrofits) <sup>*</sup>

\*Consists of (25) 7/8" hole plugs, (100) 5/16" hole plugs and (1) tube of RTV

1 AC distribution utilizes a reflector which alters the look from a standard SC distribution.  
 2 FT distribution option only available with VHO 22,000 lumen package.  
 3 Custom lumen and wattage packages available consult factory Values are within industry standard tolerances but not DLC listed.  
 4 Not available with SCFT.  
 5 Not available on SLW.

# Scottsdale® Legacy (CRUS) LED Canopy Luminaire

Type : \_\_\_\_\_

 Have questions? Call us at (800) 436-7800

## PERFORMANCE

Delivered Lumens											
Lumen Package	Distribution	3000K CCT			4000K CCT			5000K CCT			Wattage
		Delivered Lumens	Efficacy	BUG Rating	Delivered Lumens	Efficacy	BUG Rating	Delivered Lumens	Efficacy	BUG Rating	
VHO	SC	21,301	140	B4-U0-G2	21,835	144	B4-U0-G2	22,697	150	B4-U0-G2	152
	AC	17,355	114	B3-U0-G3	17,799	117	B3-U0-G3	18,502	122	B3-U0-G3	
	SCFT	22,192	146	B3-U0-G3	22,598	149	B3-U0-G3	23,269	153	B3-U0-G3	
HO	SC	17,889	143	B3-U0-G1	18,346	146	B3-U0-G2	19,071	152	B4-U0-G2	125
	AC	14,582	116	B3-U0-G2	14,955	119	B3-U0-G2	15,546	124	B3-U0-G2	
SS	SC	13,113	141	B3-U0-G1	13,449	144	B3-U0-G1	13,980	150	B3-U0-G1	93
	AC	11,468	123	B3-U0-G2	11,761	126	B3-U0-G2	12,226	131	B3-U0-G2	
LW	SC	10,457	144	B3-U0-G1	10,724	148	B3-U0-G1	11,148	154	B3-U0-G1	73
	AC	9,145	126	B2-U0-G2	9,379	129	B2-U0-G2	9,749	134	B2-U0-G2	
VLW	SC	8,783	146	B3-U0-G1	9,008	149	B3-U0-G1	9,364	155	B3-U0-G1	60
	AC	7,681	127	B2-U0-G1	7,878	131	B2-U0-G1	8,189	136	B2-U0-G1	
SLW	SC	5,585	146	B2-U0-G1	5,728	150	B2-U0-G1	5,954	156	B2-U0-G1	38
	AC	4,884	128	B1-U0-G1	5,009	131	B1-U0-G1	5,207	136	B1-U0-G1	

\*LEDs are frequently updated therefore values are nominal.

Electrical Data (AMPS)							
Lumen Package	Wattage	120V	208V	240V	277V	347V	480V
VHO	152	1.27	0.73	0.64	0.55	0.44	0.32
HO	124	1.03	0.6	0.52	0.45	0.36	0.26
SS	92	0.77	0.44	0.38	0.33	0.27	0.19
LW	72	0.6	0.35	0.3	0.26	0.21	0.15
VLW	60	0.5	0.29	0.25	0.22	0.17	0.13
SLW	38	0.32	0.18	0.16	0.14	0.11	0.08

\*Electrical data at 25C (77F). Actual wattage may differ by +/-10%.

OPERATING TEMPERATURE		
Lumen Package	Mounting	Max
VHO	Metal/Wood Canopy	45 C
HO	Metal/Wood Canopy	45 C
SS	Metal/Wood Canopy	55 C

Recommended Lumen Maintenance <sup>1</sup> CRUS VHO					
Ambient Temperature °C	Initial <sup>2</sup>	25k hr <sup>2</sup>	50k hr <sup>2</sup>	75k hr <sup>3</sup>	100k hr <sup>3</sup>
0 C	102%	97%	92%	88%	84%
10 C	102%	97%	92%	88%	84%
20 C	102%	97%	92%	88%	84%
25 C	102%	97%	92%	88%	84%
30 C	102%	97%	92%	88%	84%
40 C	101%	95%	90%	85%	80%
50 C	101%	94%	89%	83%	78%

Recommended Lumen Maintenance <sup>1</sup> CRUS SS					
Ambient Temperature °C	Initial <sup>2</sup>	25k hr <sup>2</sup>	50k hr <sup>2</sup>	75k hr <sup>3</sup>	100k hr <sup>3</sup>
0	102%	97%	92%	88%	84%
10	102%	97%	92%	88%	84%
20	102%	97%	92%	88%	84%
25	102%	97%	92%	88%	84%
30	102%	97%	92%	88%	84%
40	102%	97%	92%	88%	84%
50	101%	95%	91%	86%	82%

1 Lumen maintenance values at 25 °C are calculated per TM-21 based on LM-80 data and in-situ luminaire testing.

2 In accordance with IESNA TM-21-II, Projected Values represent interpolated value based on time durations that are within six times (6X) the IESNA LM-80-08 total test duration (in hours) for the device under testing (DUT) i.e. the packaged LED).

3 In accordance with IESNA TM-21-II, Calculated Values represent time durations that exceed six times NA LM-80-08 total test duration (in hours) for the device under testing (DUT) i.e. the packaged LED).

# Scottsdale® Legacy (CRUS) LED Canopy Luminaire

Type : \_\_\_\_\_

 Have questions? Call us at (800) 436-7800

## PHOTOMETRICS

Luminaire photometry has been conducted by a NVLAP accredited testing laboratory in accordance with IESNA LM-79-08. As specified by IESNA LM-79-08 the entire luminaire is tested as the source resulting in a luminaire efficiency of 100%.

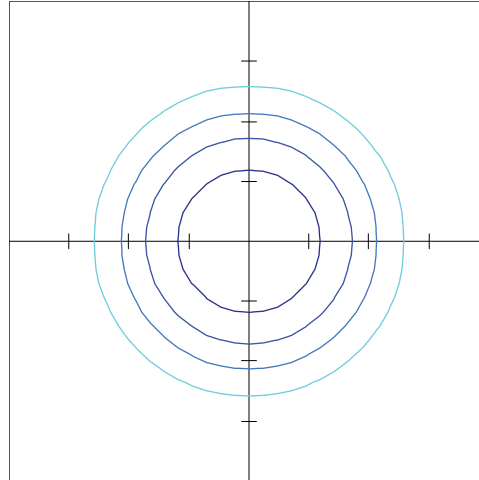
See the individual product page on <https://www.lsicorp.com/> for detailed photometric data.

### CRUS-SC-SS-50

Luminaire Data	
<b>Type 5 Distribution</b>	
Description	5000 Kelvin, 80 CRI
Delivered Lumens	13,980
Watts	93
Efficacy	150
IES Type	Type VS - Very Short
BUG Rating	B3-U0-G1

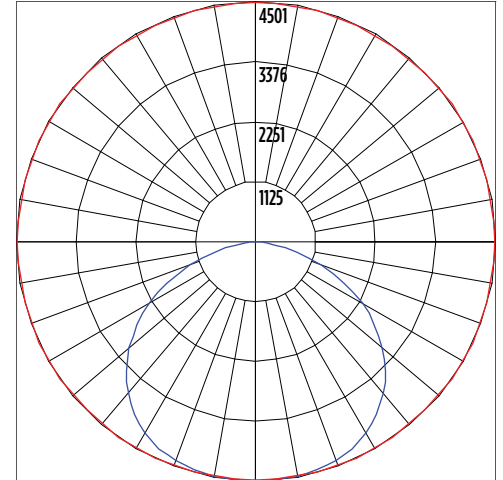
Zonal Lumen Summary		
Zone	Lumens	% Luminaire
Low (0-30°)	3,479.6	26.7%
Medium (30-60°)	7,109.8	54.5%
High (60-80°)	2,334.8	17.9%
Very High (80-90°)	114.4	0.9%
Uplight (90-180°)	0.0	0.0%
<b>Total Flux</b>	<b>13,038.6</b>	<b>100%</b>

#### ISO Footcandle



10' Mounting Height / 10' Grid Spacing  
 5 FC 2 FC 1 FC 0.5 FC

#### Polar Curve



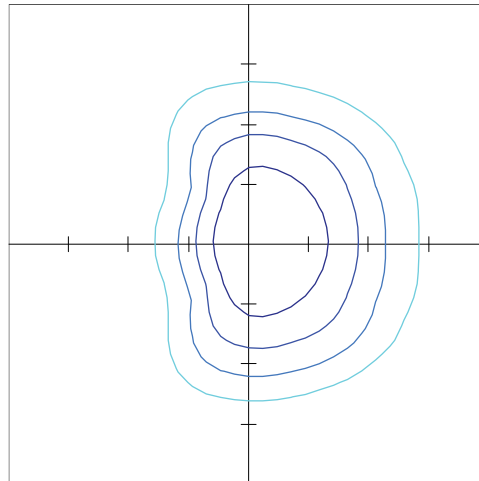
Vertical Plane Horizontal Cone

### CRUS-AC-SS-50

Luminaire Data	
<b>Type 3 Distribution</b>	
Description	5000 Kelvin, 80 CRI
Delivered Lumens	12,226
Watts	93
Efficacy	131
IES Type	Type III, Very Short
BUG Rating	B3-U0-G2

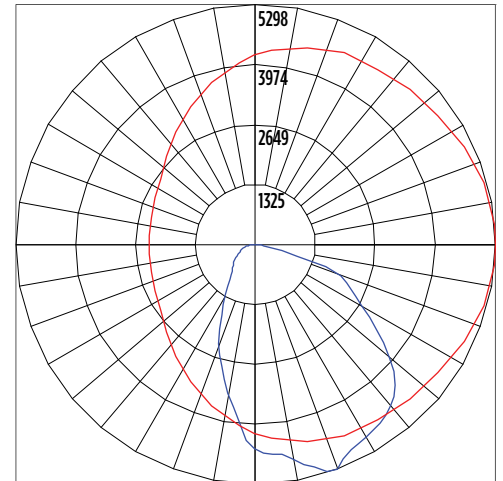
Zonal Lumen Summary		
Zone	Lumens	% Luminaire
Low (0-30°)	3,240.3	27%
Medium (30-60°)	6,245.5	51%
High (60-80°)	2,594.6	21%
Very High (80-90°)	146.1	1%
Uplight (90-180°)	0	0%
<b>Total Flux</b>	<b>12,227</b>	<b>100%</b>

#### ISO Footcandle



15' Mounting Height / 15' Grid Spacing  
 5 FC 2 FC 1 FC 0.5 FC

#### Polar Curve



Vertical Plane Horizontal Cone

# Scottsdale® Legacy (CRUS) LED Canopy Luminaire

Type : \_\_\_\_\_

 Have questions? Call us at (800) 436-7800

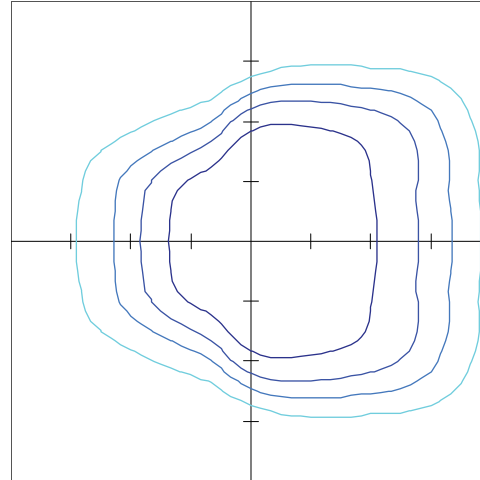
## PHOTOMETRICS

### CRUS-SCFT-SS-50

Luminaire Data	
Type 5 Distribution	
Description	5000 Kelvin, 80 CRI
Delivered Lumens	13,980
Watts	93
Efficacy	150
IES Type	Type VS - Very Short
BUG Rating	B3-U0-G3

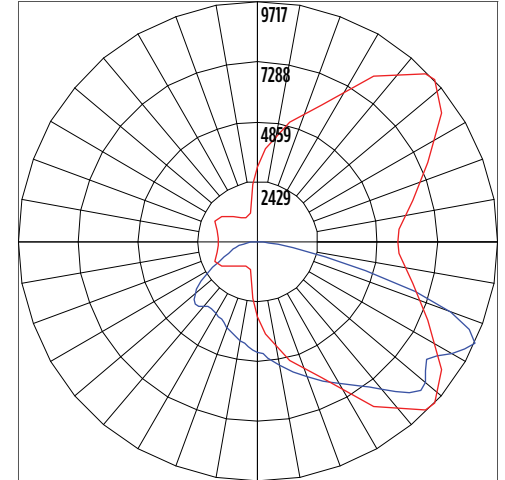
Zonal Lumen Summary		
Zone	Lumens	% Luminaire
Low (0-30°)	2,397.7	10.30%
Medium (30-60°)	8,658.8	37.20%
High (60-80°)	4,914.2	21.10%
Very High (80-90°)	225.7	1.00%
Uplight (90-180°)	0	0%
<b>Total Flux</b>	<b>23,269.3</b>	<b>100%</b>

### ISO Footcandle



10' Mounting Height / 10' Grid Spacing  
 5 FC 2 FC 1 FC 0.5 FC

### Polar Curve



Vertical Plane Horizontal Cone

## PRODUCT DIMENSIONS

